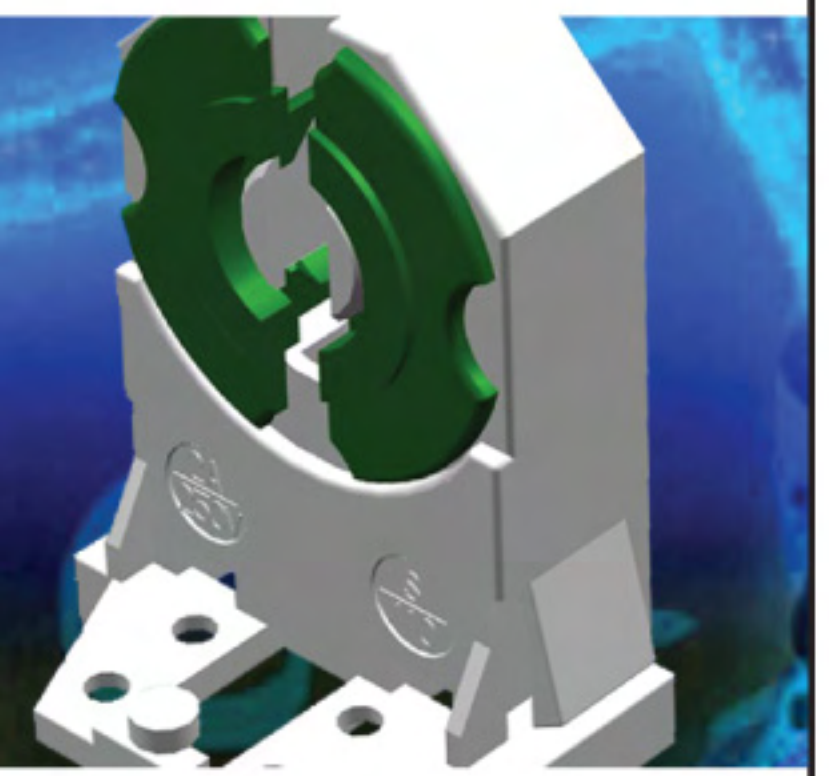


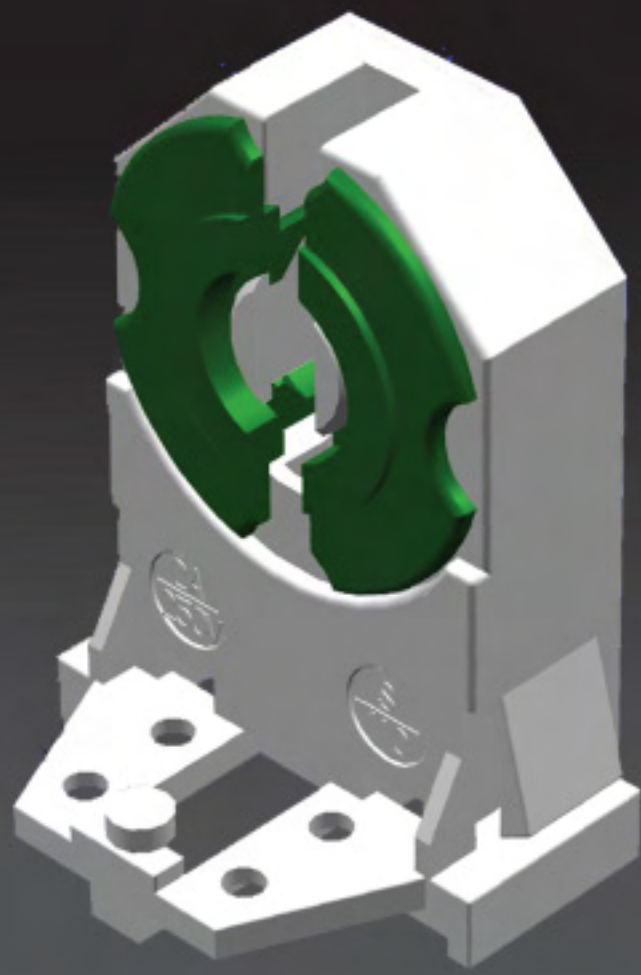


SIRIJAYA
INDUSTRIES SDN. BHD.



FLUORESCENT LAMPHOLDER - 1 Series

S-110



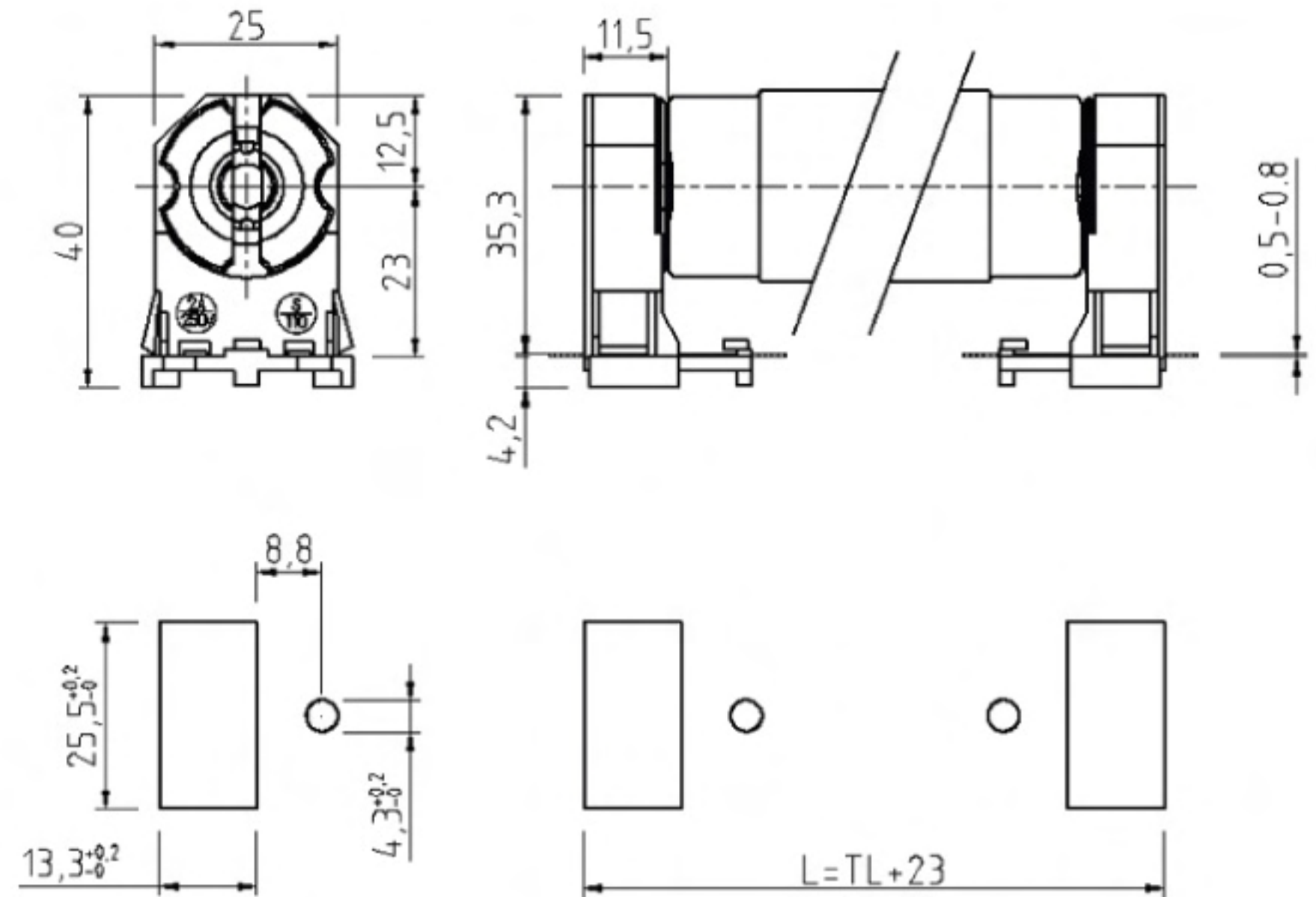
G13

2A/250V

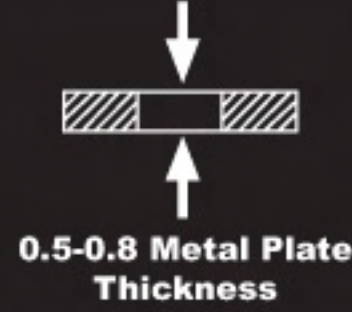
T130/
Tm110

7G

1200PCS



Push-through
Fixing



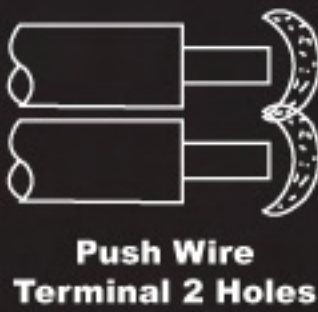
0.5-0.8 Metal Plate
Thickness



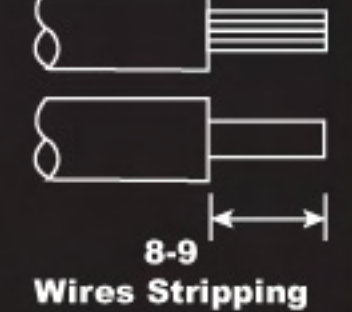
PBT
45°



0.5-1
Rigid Conductor



Push Wire
Terminal 2 Holes

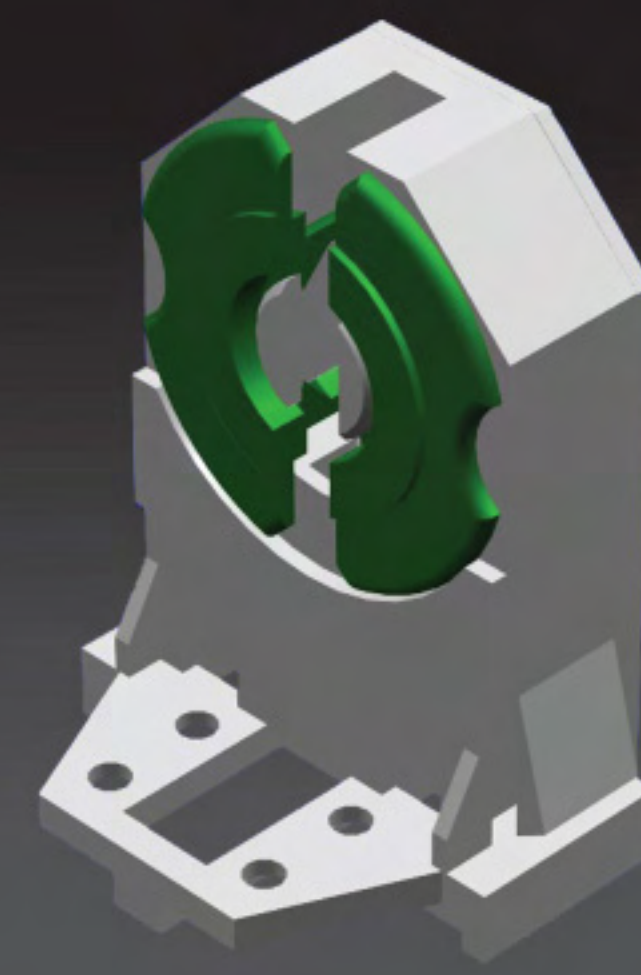


8-9
Wires Stripping

IP20 LAMPHOLDER

- Polycarbonate body & PBT Rotor
- Max. permissible temperature T_m at the rear of the lampholder: 110°C
- Max. permissible temperature T measured at the hottest point, where contact with the endcap: 130°C

S-111



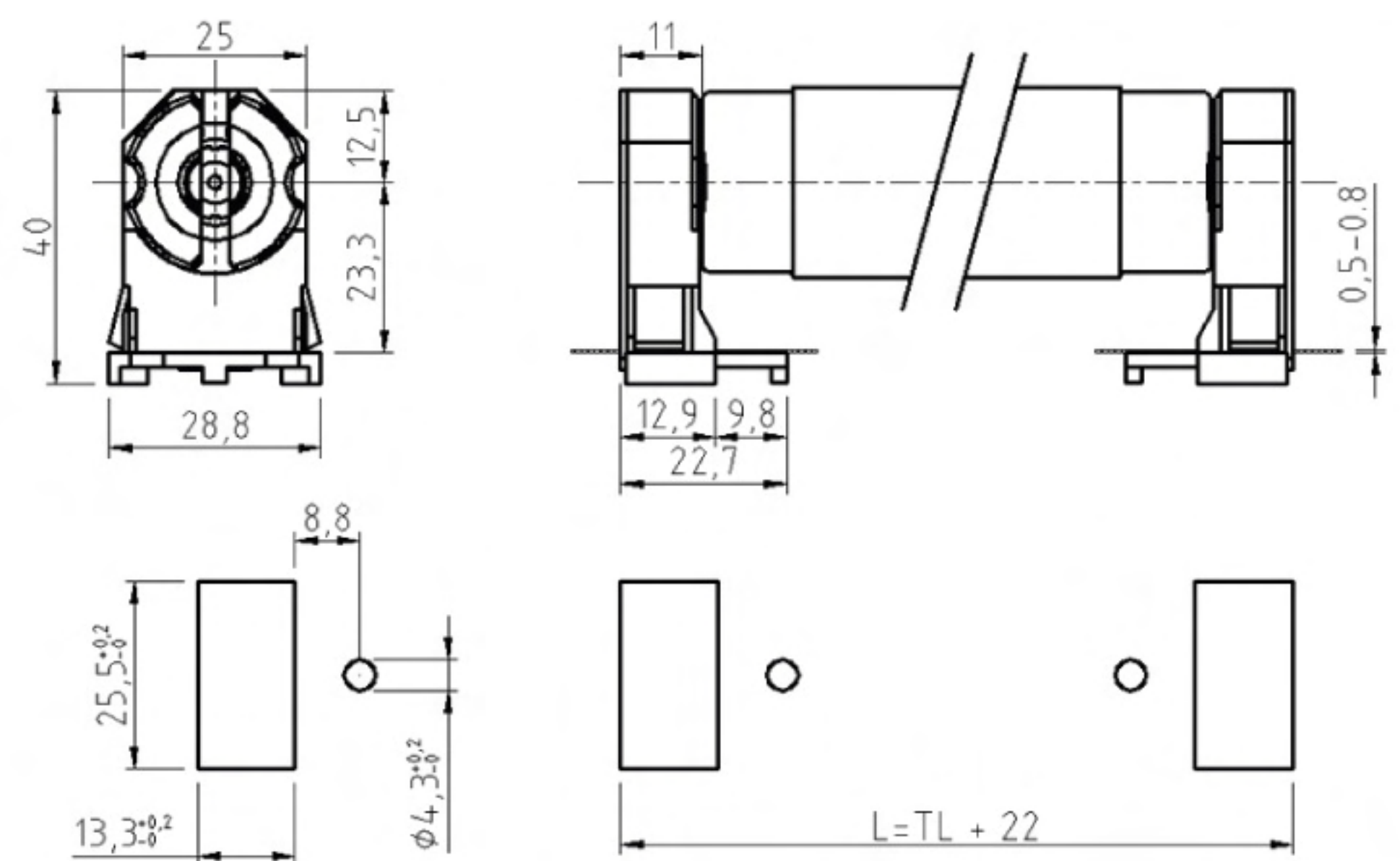
G13

2A/250V

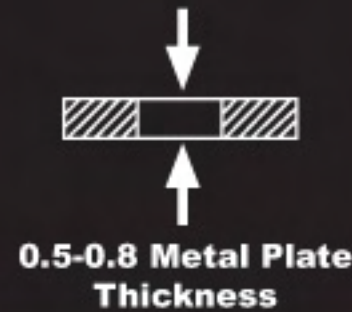
T130/
Tm110

7G

1200PCS



Push-through
Fixing



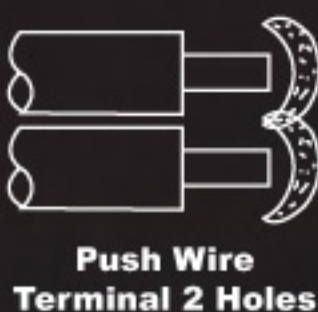
0.5-0.8 Metal Plate
Thickness



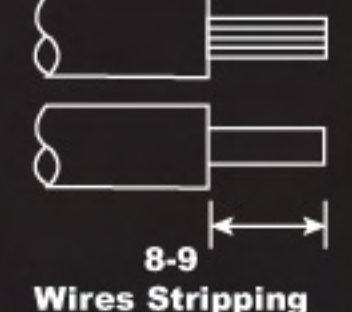
PBT
45°



0.5-1
Rigid Conductor



Push Wire
Terminal 2 Holes



8-9
Wires Stripping

IP20 LAMPHOLDER

- Polycarbonate body & PBT Rotor
- Max. permissible temperature T_m at the rear of the lampholder: 110°C
- Max. permissible temperature T measured at the hottest point, where contact with the endcap: 130°C



SIRIJAYA
INDUSTRIES SDN. BHD.



No.9 Lebuhr Perusahaan Klebang 9, IGB International Industrial Park, 31200 Chemor, Perak Darul Ridzuan, Malaysia.
Tel: +605- 292 3888 (Hunting Line) 291 2223 - 291 2228 Fax +605-291 2221, 291 2222 www.sirijaya.com

Suruhanjaya Tenaga