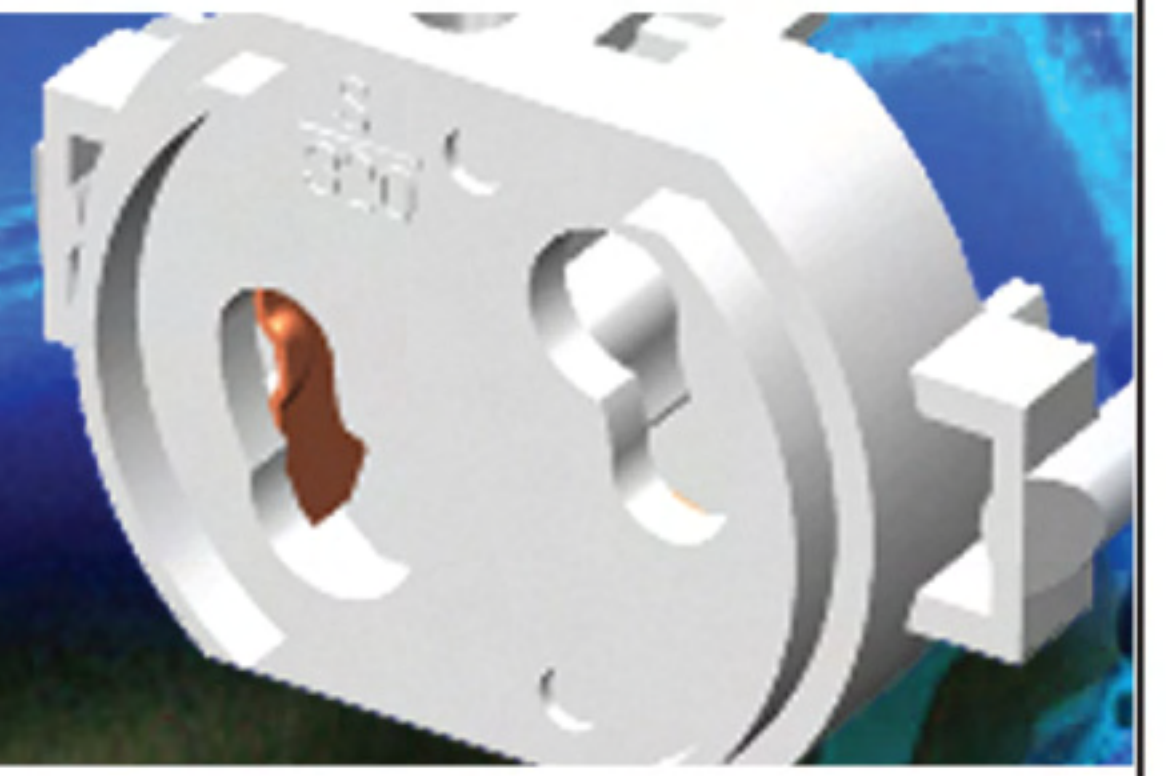


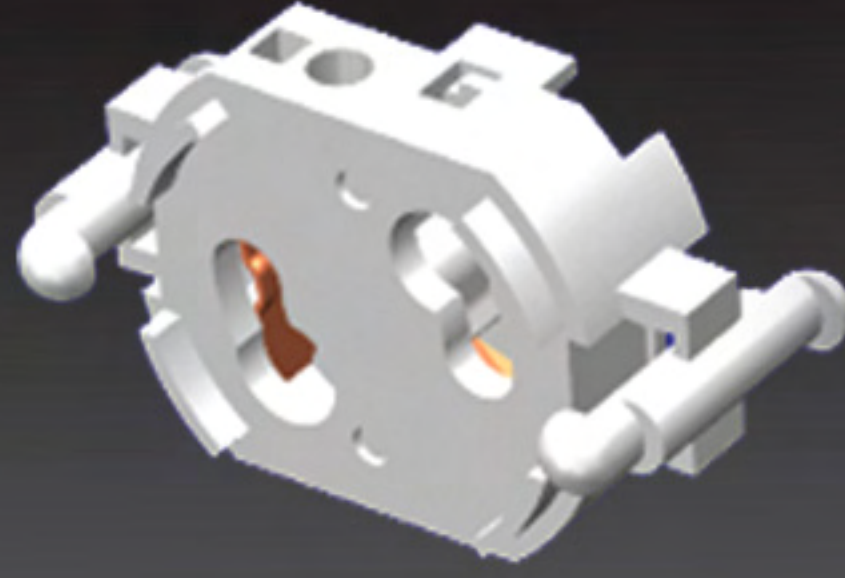


SIRIJAYA
INDUSTRIES SDN. BHD.



FLUORESCENT STARTER HOLDER - 3 Series

S-321

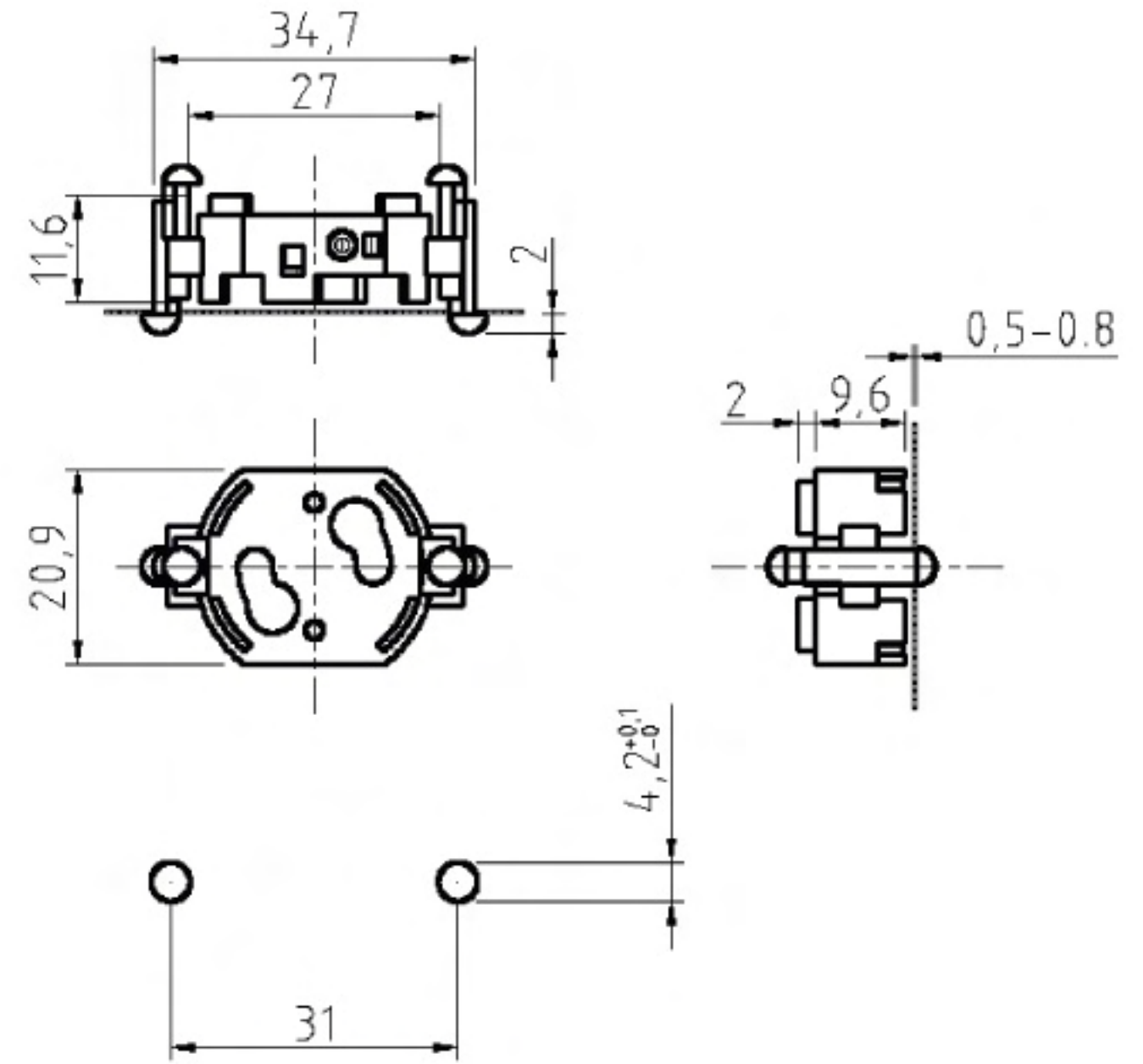


2A/250V

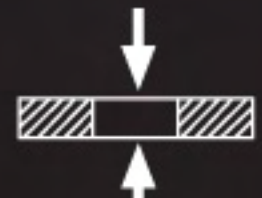
T110

3G

3000PCS



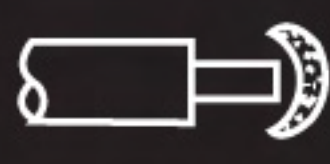
Push-in Fixing



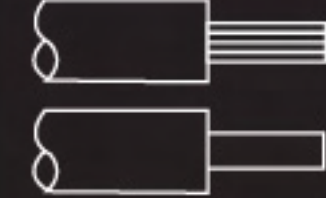
0.5-0.8 Metal Plate Thickness



0.5-1 Rigid Conductor



Push Wire Terminal 1 Hole



8-9 Wires Stripping

IP20 STARTER HOLDER

- Polycarbonate body & PBT Rotor
- Max. permissible temperature : 110 C



SIRIJAYA
INDUSTRIES SDN. BHD.

No.9 Lebuhr Perusahaan Klebang 9, IGB International Industrial Park, 31200 Chemor, Perak Darul Ridzuan, Malaysia.
Tel: +605- 292 3888 (Hunting Line) 291 2223 - 291 2228 Fax +605-291 2221, 291 2222 www.sirijaya.com



Suruhanjaya Tenaga