



SIRIJAYA
INDUSTRIES SDN. BHD.



FLUORESCENT STARTER HOLDER - 4 Series

S-400

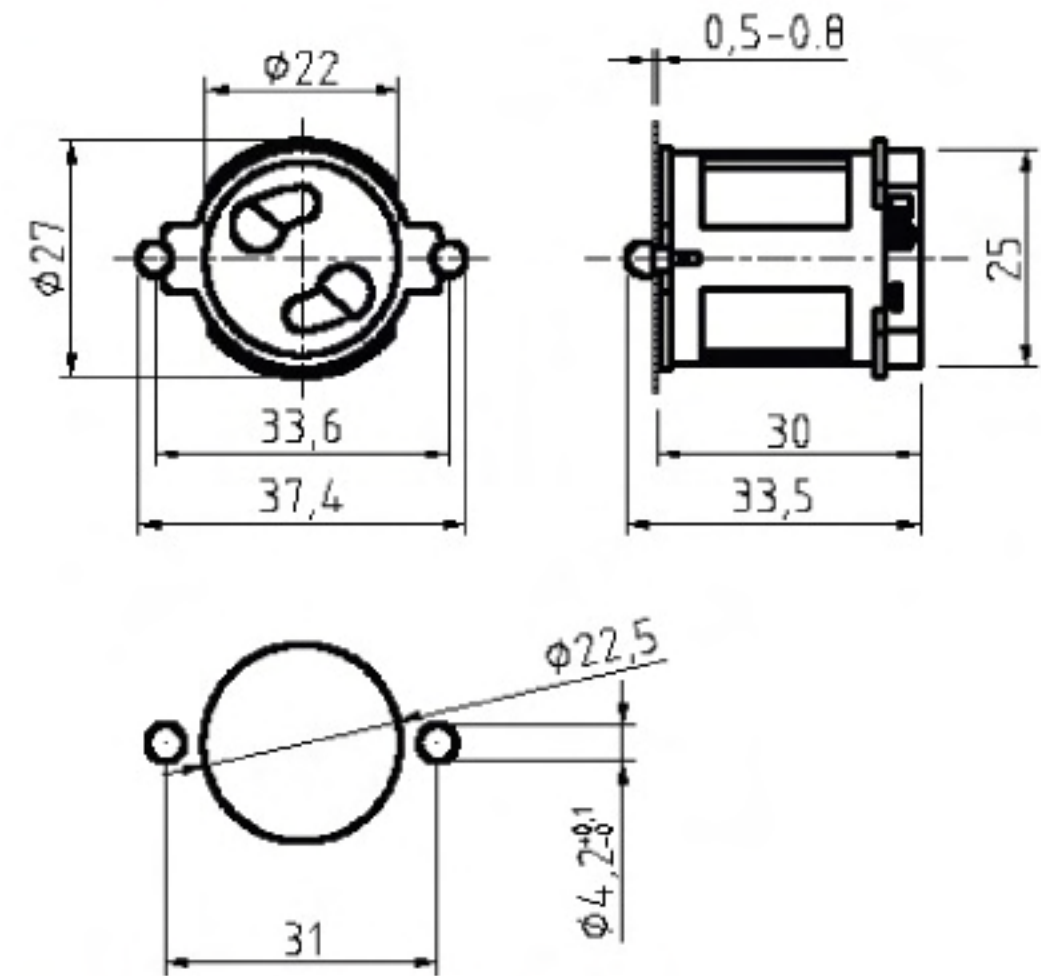


2A/250V

T110

4G

1100PCS



Push-in Fixing



0.5-0.8 Metal Plate Thickness



0.5-1 Rigid Conductor



Push Wire Terminal 1 Hole



8-9 Wires Stripping

IP20 STARTER HOLDER

- Polycarbonate body
- Max. permissible temperature : 110 C

S-401

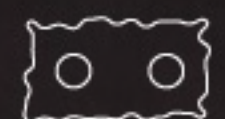
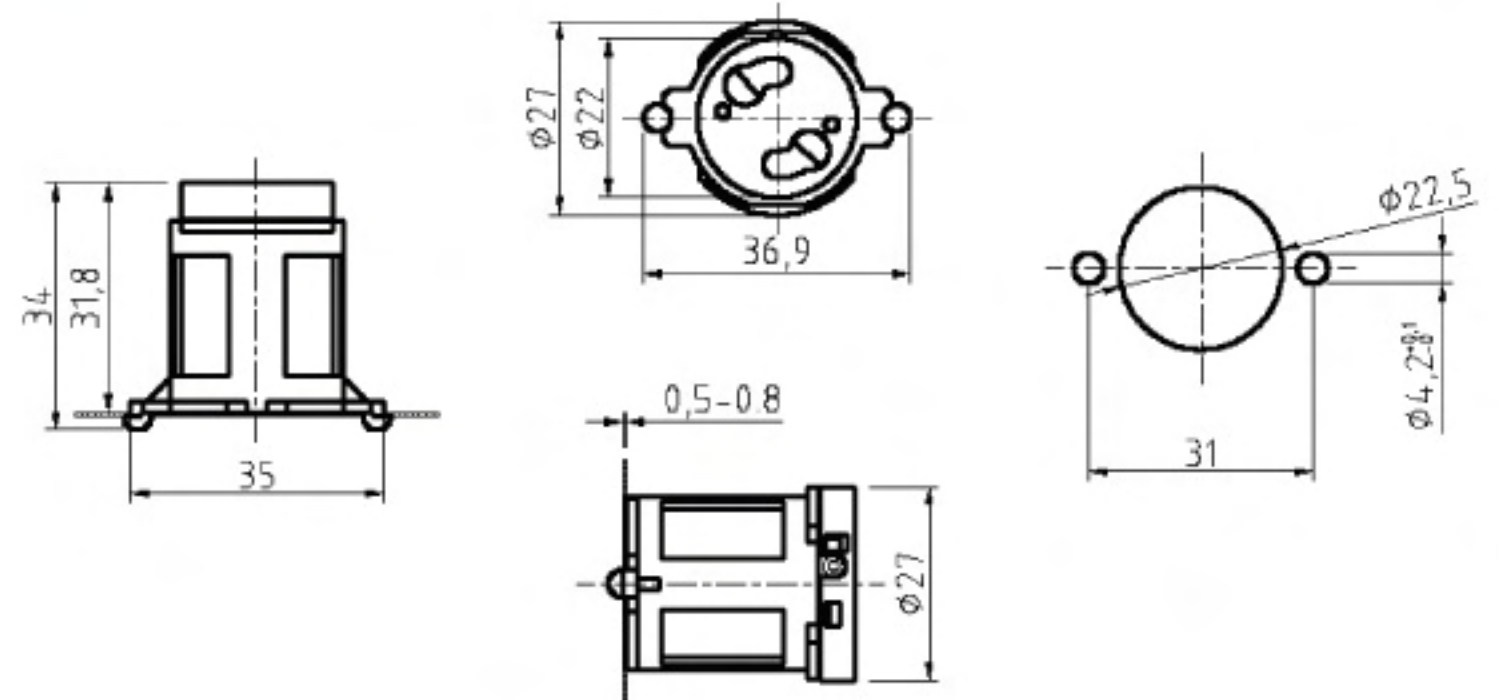


2A/250V

T110

4G

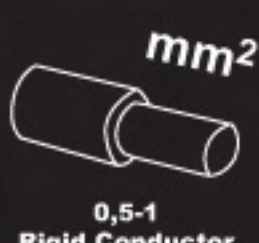
1100PCS



Push-in Fixing



0.5-0.8 Metal Plate Thickness



0.5-1 Rigid Conductor



Push Wire Terminal 1 Hole



8-9 Wires Stripping

IP20 STARTER HOLDER

- Polycarbonate
- Max. permissible temperature : 110 C



SIRIJAYA
INDUSTRIES SDN. BHD.



No.9 Lebuhr Perusahaan Klebang 9, IGB International Industrial Park, 31200 Chemor, Perak Darul Ridzuan, Malaysia.
Tel: +605- 292 3888 (Hunting Line) 291 2223 - 291 2228 Fax +605-291 2221, 291 2222 www.sirijaya.com

