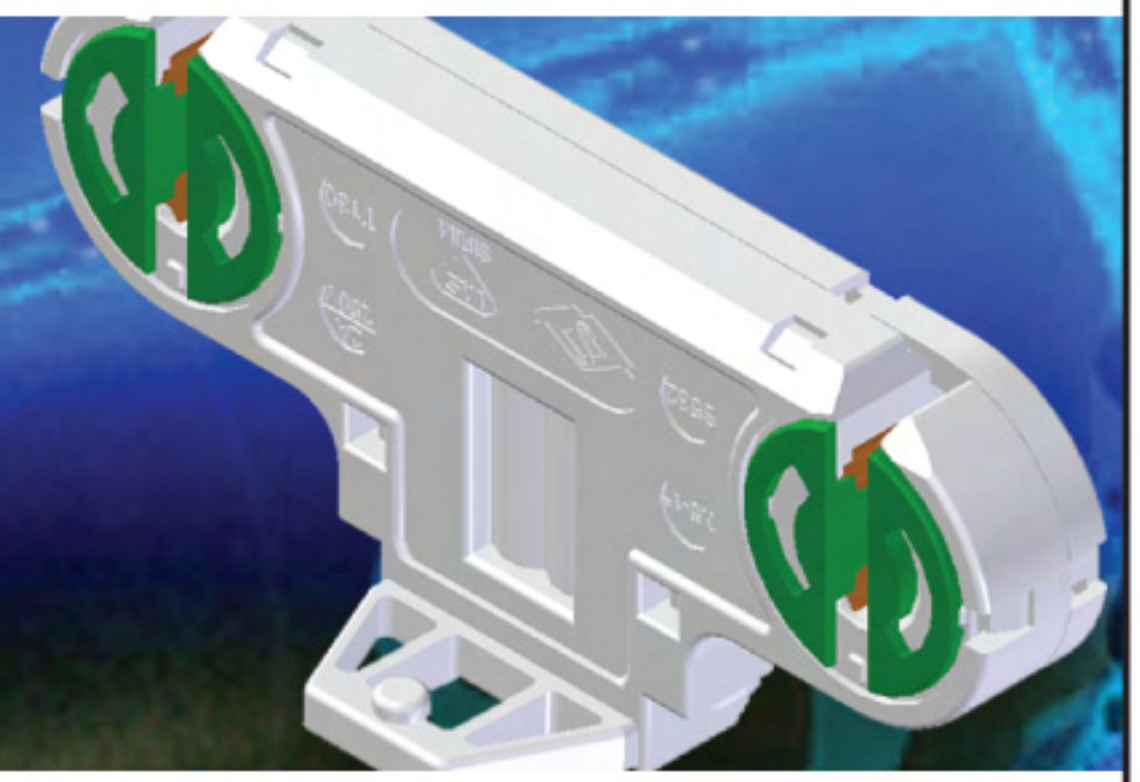




SIRIJAYA
INDUSTRIES SDN. BHD.



T5 FLUORESCENT TWIN LAMPHOLDER - 5 Series

S-532



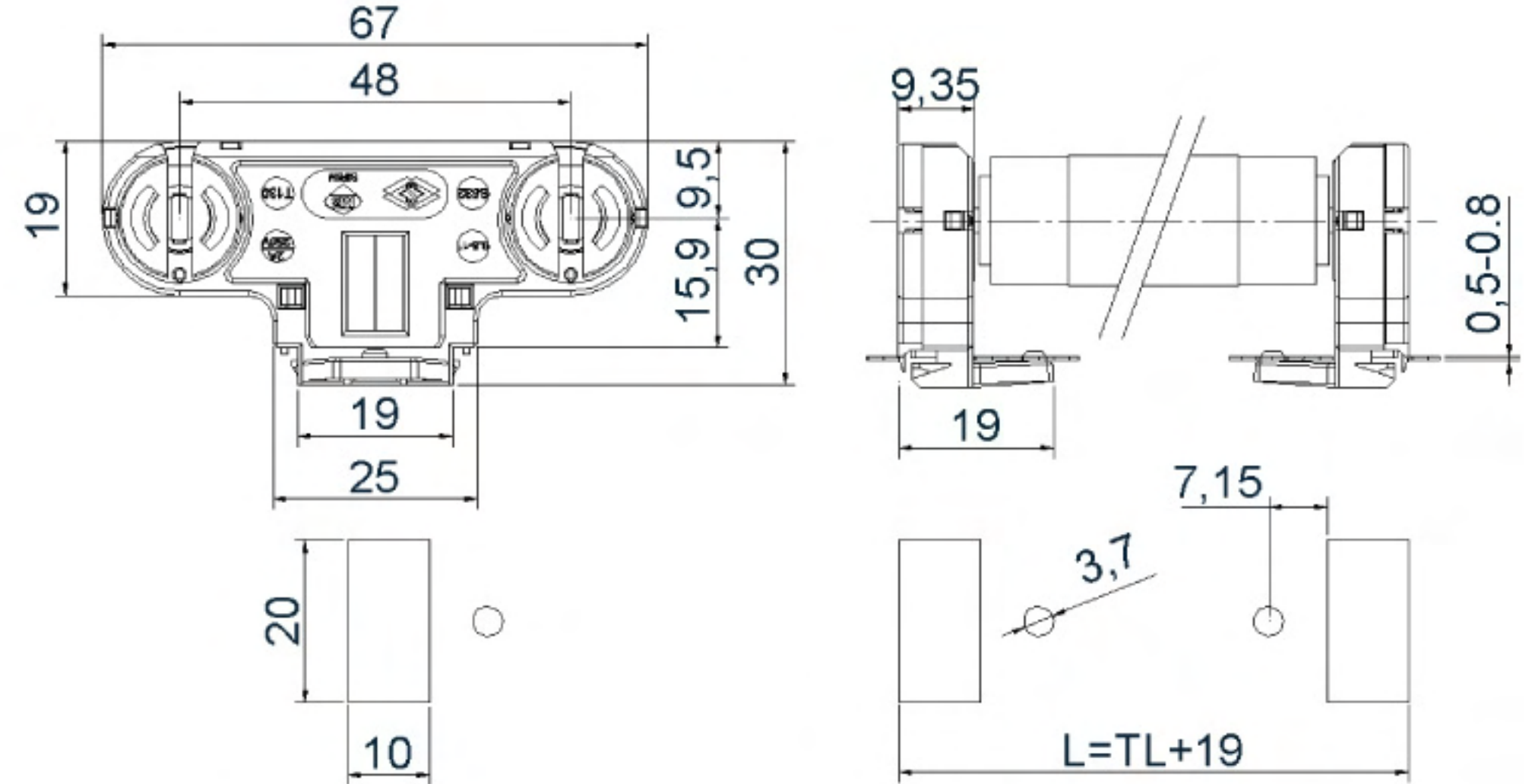
G5

2A/500V

T130/
Tm110

9G

1000PCS



Snap-in Fixing



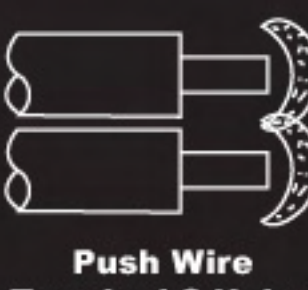
0.5-0.8 Metal Plate Thickness



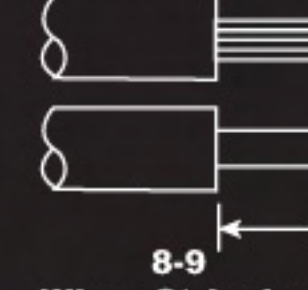
PBT 45°



0.5-1 Rigid Conductor



Push Wire Terminal 2 Holes



8-9 Wires Stripping

IP20 TWIN LAMPHOLDER

- Polycarbonate body & PBT Rotor
- Max. permissible temperature T_m at the rear of the lampholder: 110°C
- Max. permissible temperature T measured at the hottest point, where contact with the endcap: 130°C

S-533



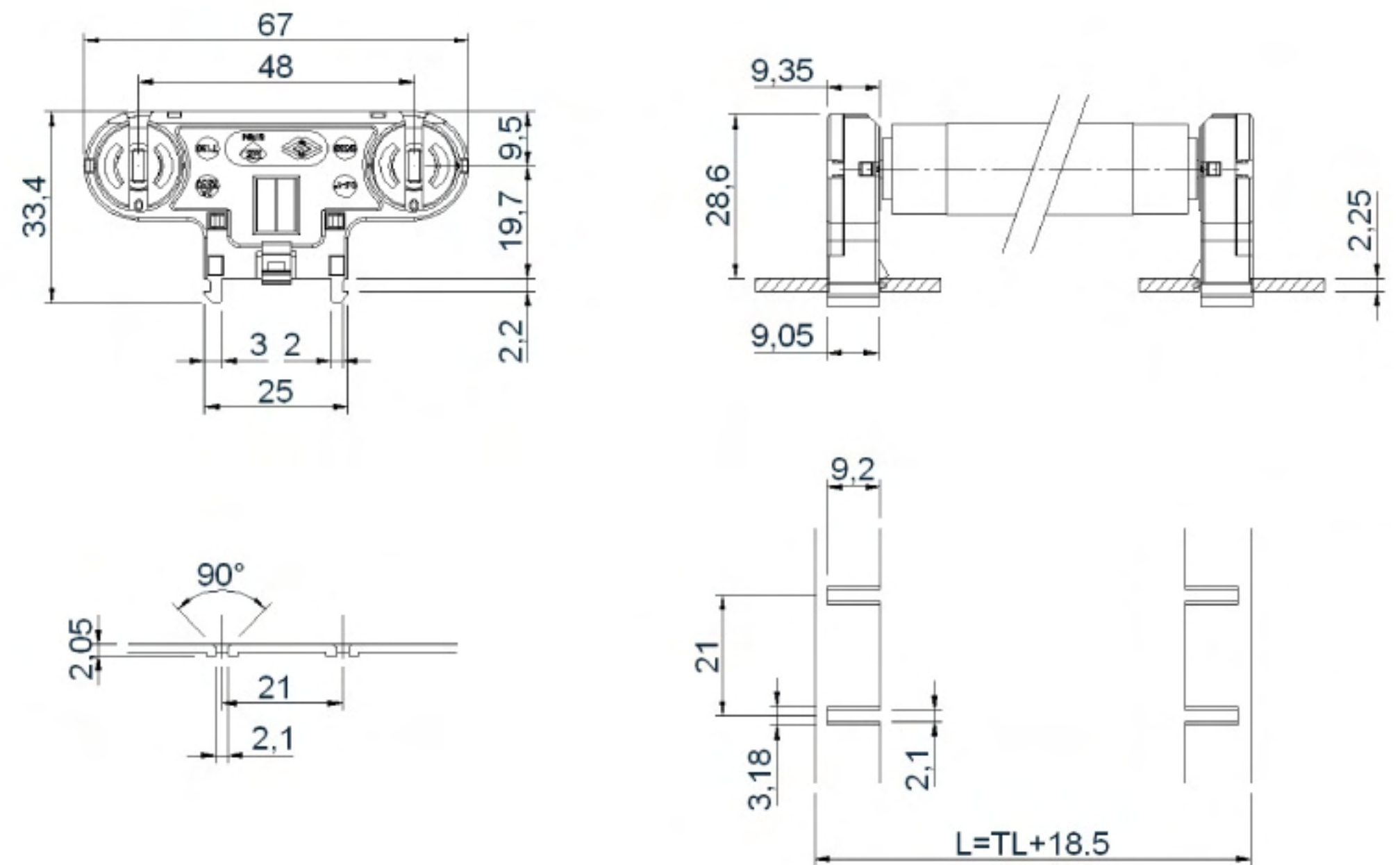
G5

2A/500V

T130/
Tm110

9G

1000PCS



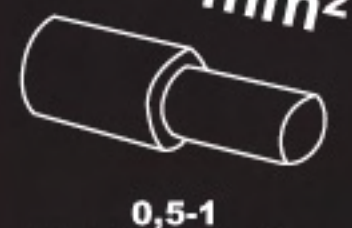
Slide-on Fixing



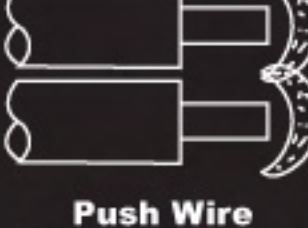
0.5-0.8 Metal Plate Thickness



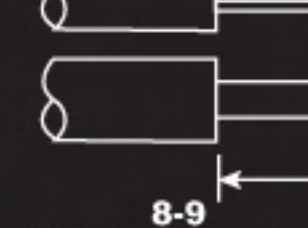
PBT 45°



0.5-1 Rigid Conductor



Push Wire Terminal 2 Holes



8-9 Wires Stripping

IP20 TWIN LAMPHOLDER

- Polycarbonate body & PBT Rotor
- Max. permissible temperature T_m at the rear of the lampholder: 110°C
- Max. permissible temperature T measured at the hottest point, where contact with the endcap: 130°C



SIRIJAYA
INDUSTRIES SDN. BHD.

No.9 Lebuhr Perusahaan Klebang 9, IGB International Industrial Park, 31200 Chemor, Perak Darul Ridzuan, Malaysia.
Tel: +605- 292 3888 (Hunting Line) 291 2223 - 291 2228 Fax +605-291 2221, 291 2222 www.sirijaya.com



Suruhanjaya Tenaga