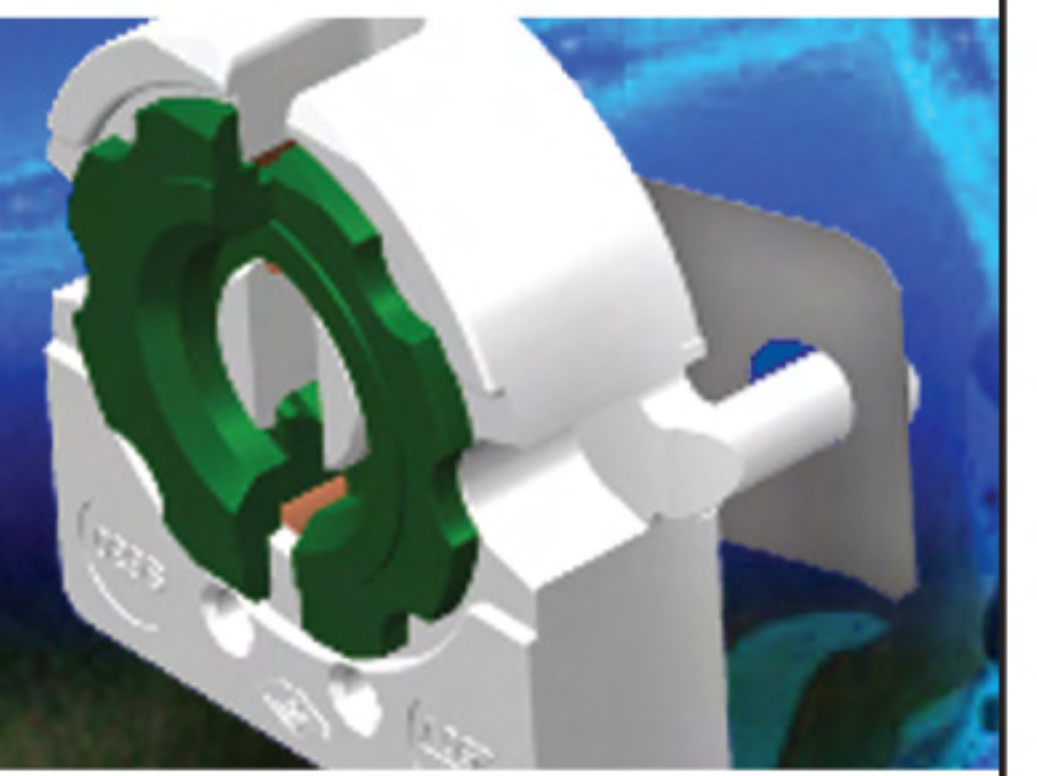


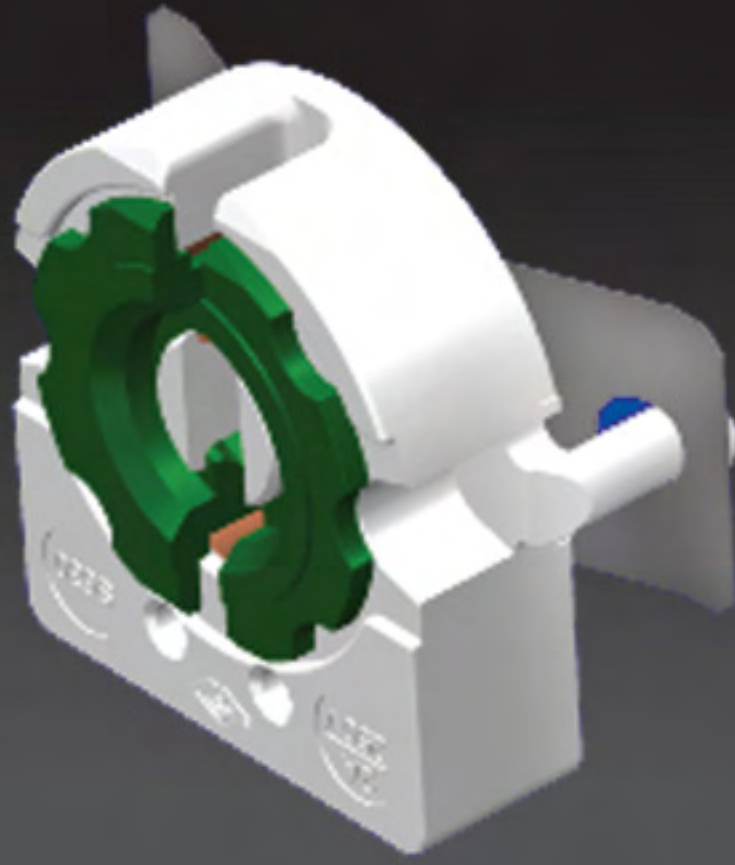


**SIRIJAYA**  
INDUSTRIES SDN. BHD.



## T5 FLUORESCENT LAMPHOLDER - 6 Series

**S-630**



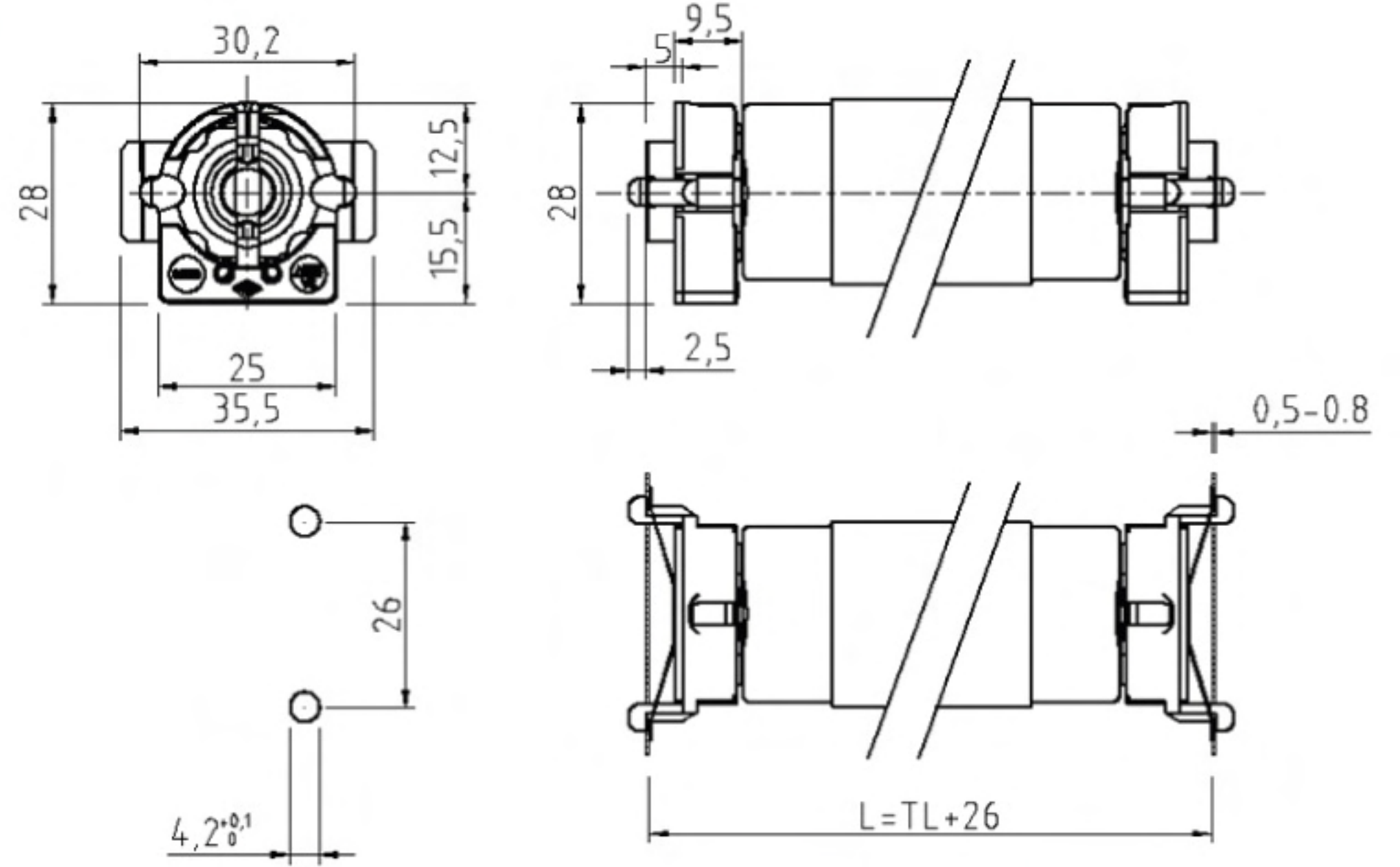
G13

2A/250V

T130/  
Tm110

5G

2300PCS



Fixed back  
Mounting



0.5-0.8 Metal Plate  
Thickness



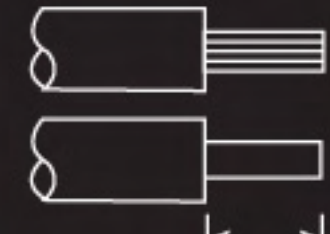
PBT  
45°



0,5-1  
Rigid Conductor



Push Wire  
Terminal 2 Holes

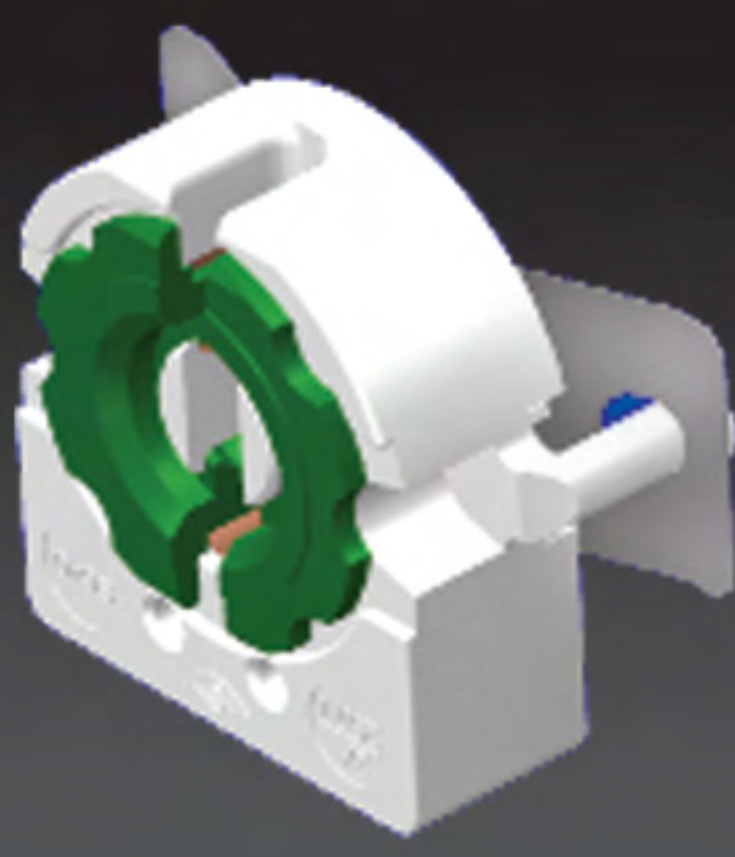


8-9  
Wires Stripping

### IP20 LAMPHOLDER

- Polycarbonate body & PBT Rotor
- Max. permissible temperature T<sub>m</sub> at the rear of the lampholder: 110°C
- Max. permissible temperature T measured at the hottest point, where contact with the endcap: 130°C

**S-631**



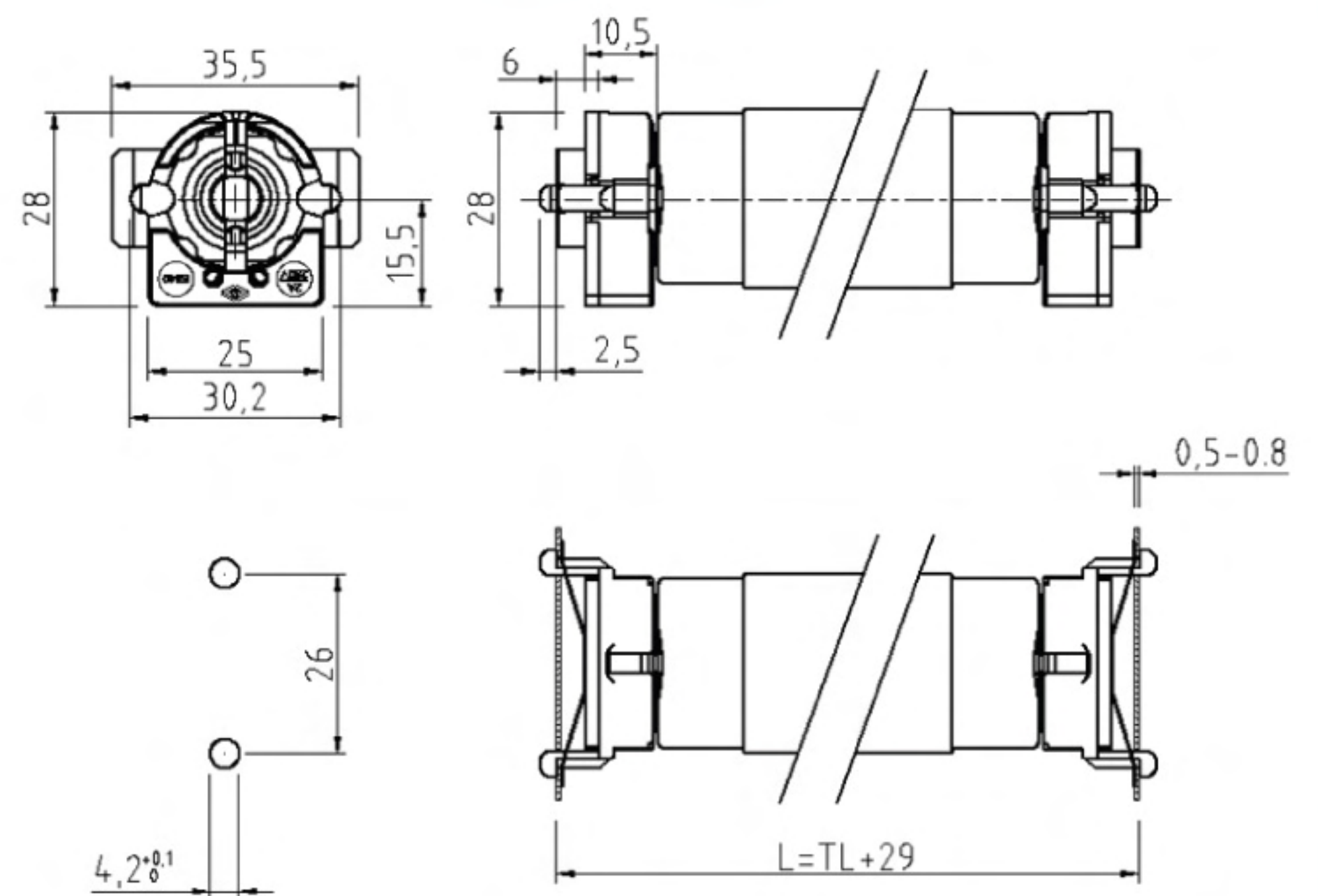
G13

2A/250V

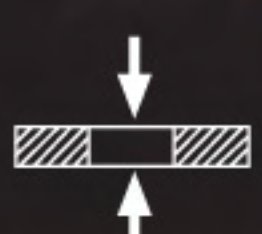
T130/  
Tm110

6G

2200PCS



Fixed back  
Mounting



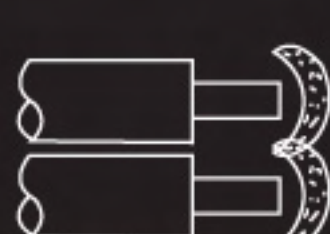
0.5-0.8 Metal Plate  
Thickness



PBT  
45°



0,5-1  
Rigid Conductor



Push Wire  
Terminal 2 Holes



8-9  
Wires Stripping

### IP20 LAMPHOLDER

- Polycarbonate body & PBT Rotor
- Max. permissible temperature T<sub>m</sub> at the rear of the lampholder: 110°C
- Max. permissible temperature T measured at the hottest point, where contact with the endcap: 130°C



**SIRIJAYA**  
INDUSTRIES SDN. BHD.



No.9 Lebuhr Perusahaan Klebang 9, IGB International Industrial Park, 31200 Chemor, Perak Darul Ridzuan, Malaysia.  
Tel: +605- 292 3888 (Hunting Line) 291 2223 - 291 2228 Fax +605-291 2221, 291 2222 www.sirijaya.com

Suruhanjaya Tenaga