

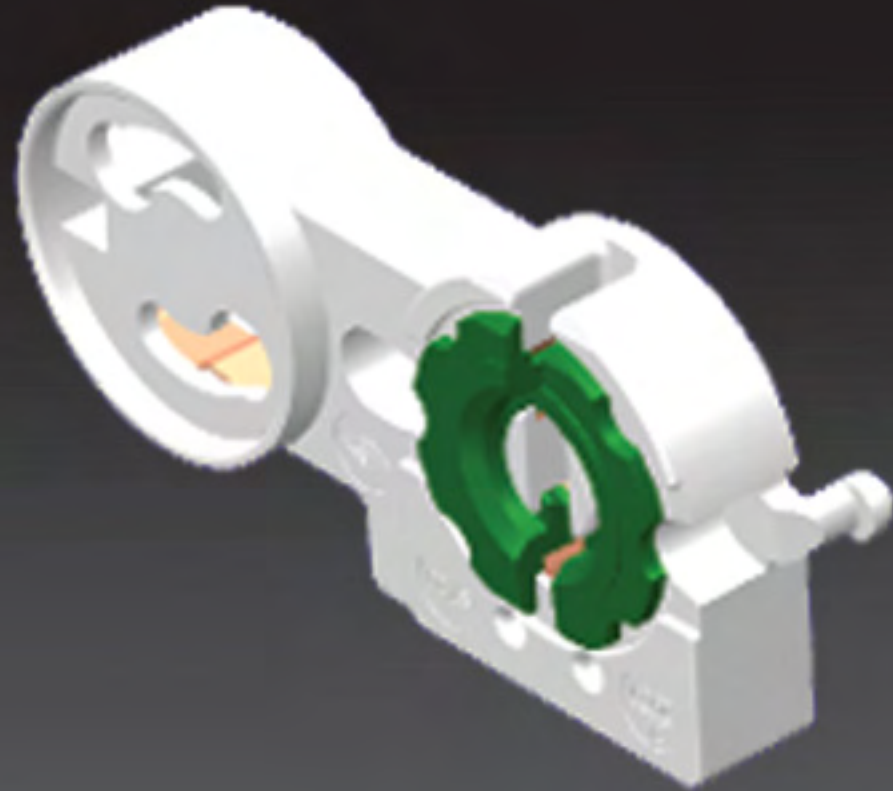


**SIRIJAYA**  
INDUSTRIES SDN. BHD.



## T5 FLUORESCENT LAMPHOLDER - 7 Series

### S-730



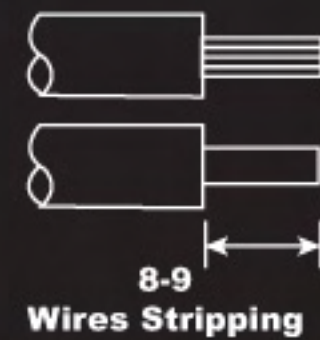
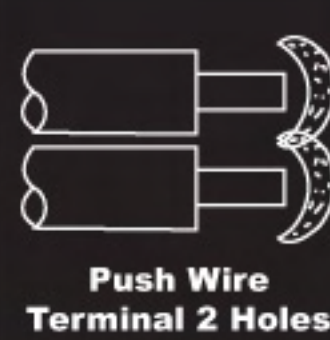
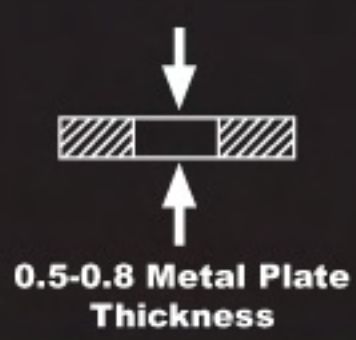
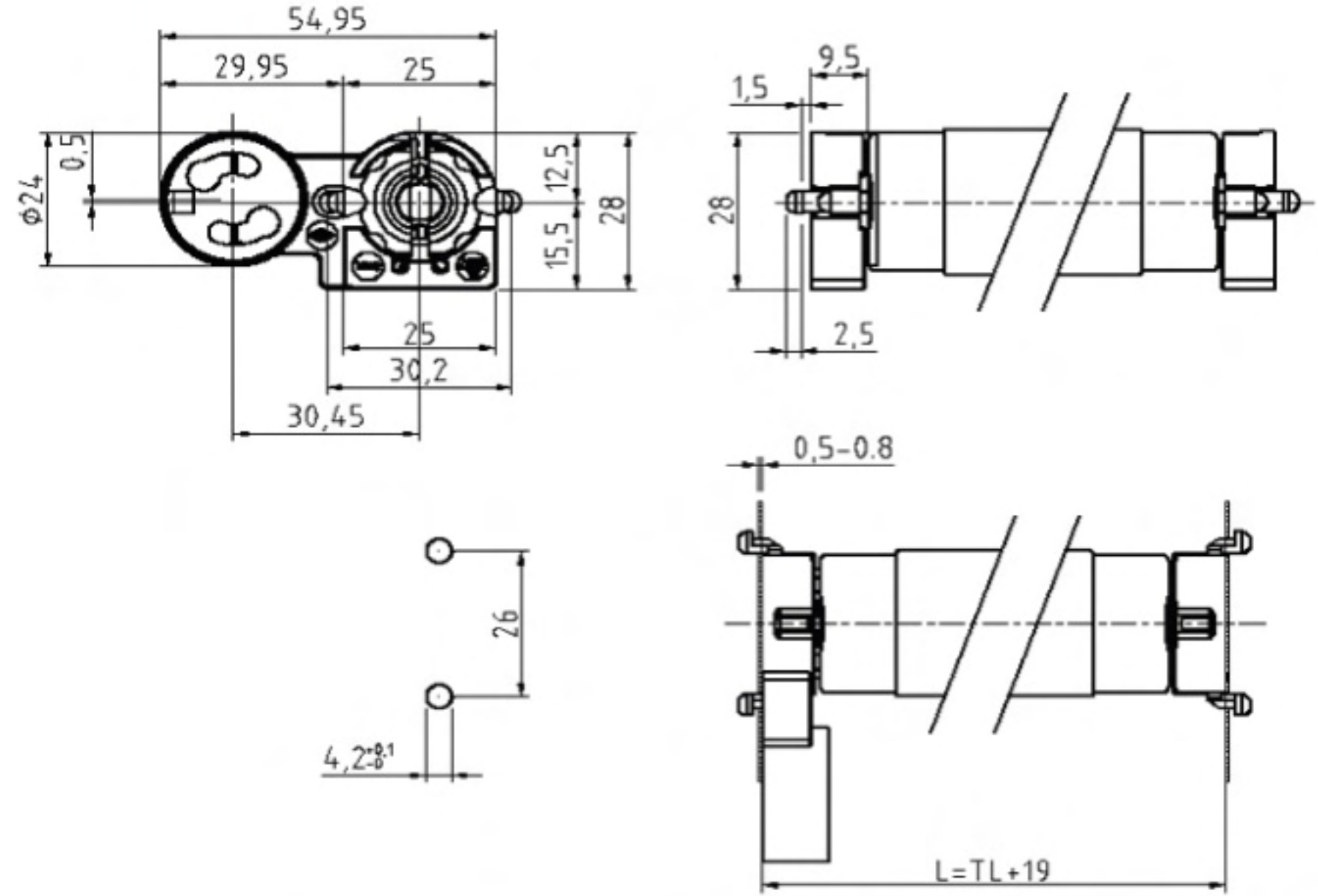
G13

2A/250V

T130/  
Tm110

8G

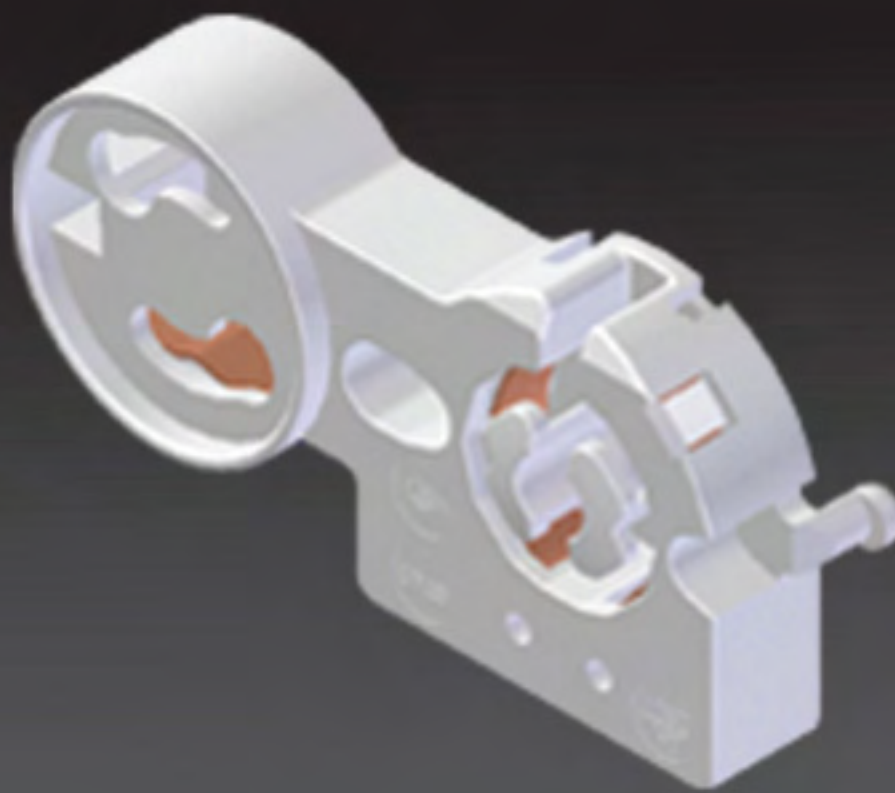
1200PCS



#### IP20 LAMPHOLDER

- Polycarbonate body & PBT Rotor
- Max. permissible temperature T<sub>m</sub> at the rear of the lampholder: 110°C
- Max. permissible temperature T measured at the hottest point, where contact with the endcap: 130°C

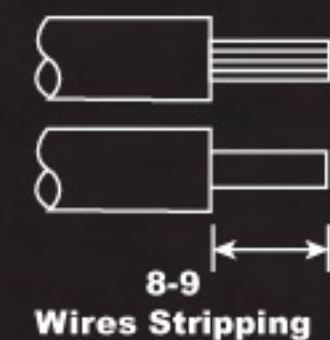
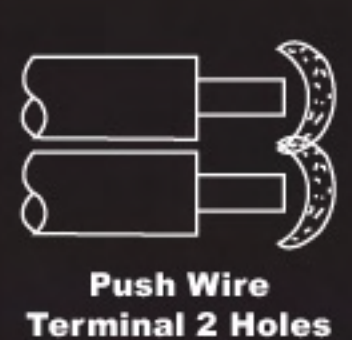
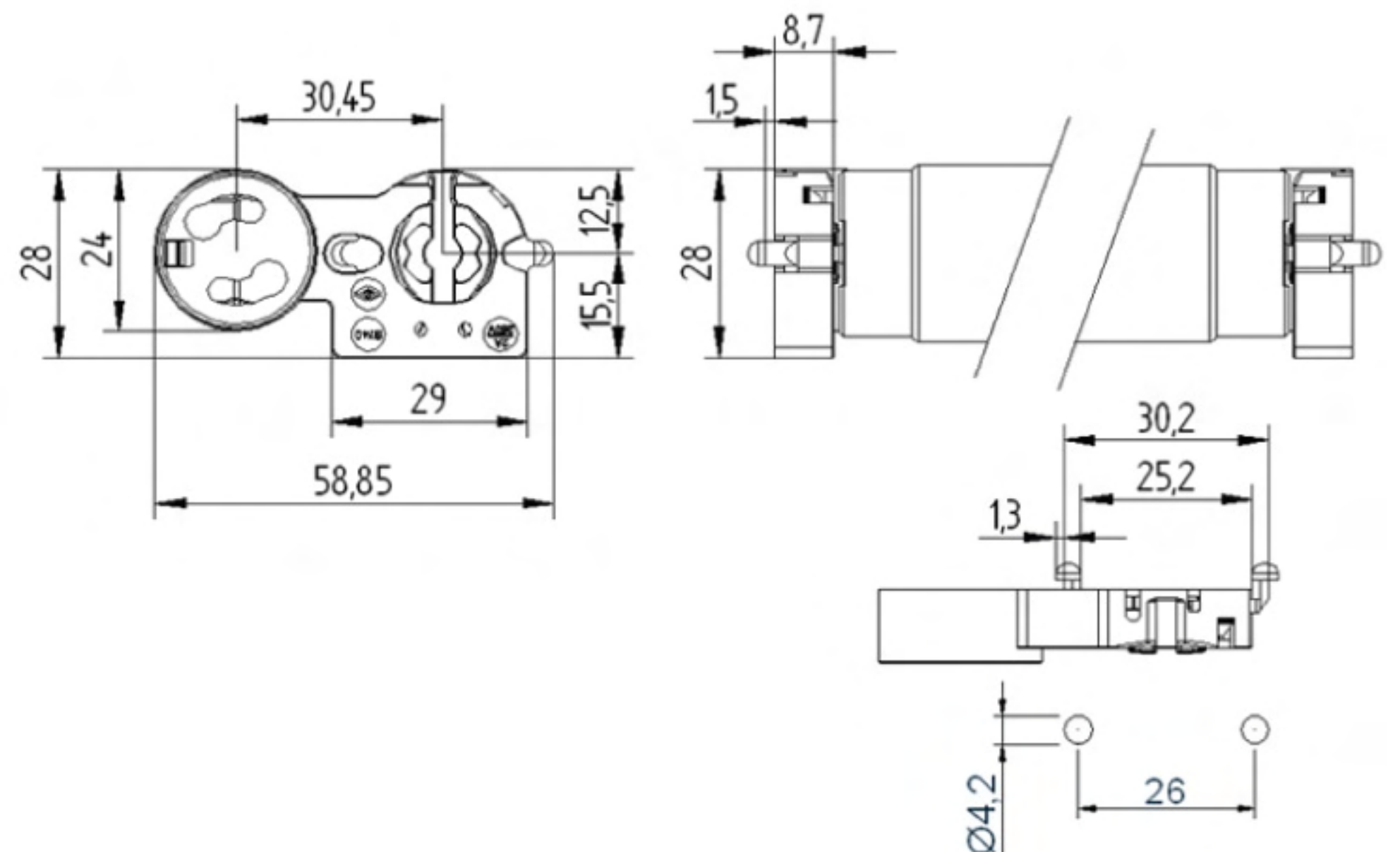
### S-740



G13

2A/250V

T110



#### IP20 LAMPHOLDER

- Polycarbonate body
- Max. permissible temperature : 110°C



**SIRIJAYA**  
INDUSTRIES SDN. BHD.



No.9 Lebuhr Perusahaan Klebang 9, IGB International Industrial Park, 31200 Chemor, Perak Darul Ridzuan, Malaysia.  
Tel: +605- 292 3888 (Hunting Line) 291 2223 - 291 2228 Fax +605-291 2221, 291 2222 www.sirijaya.com

