

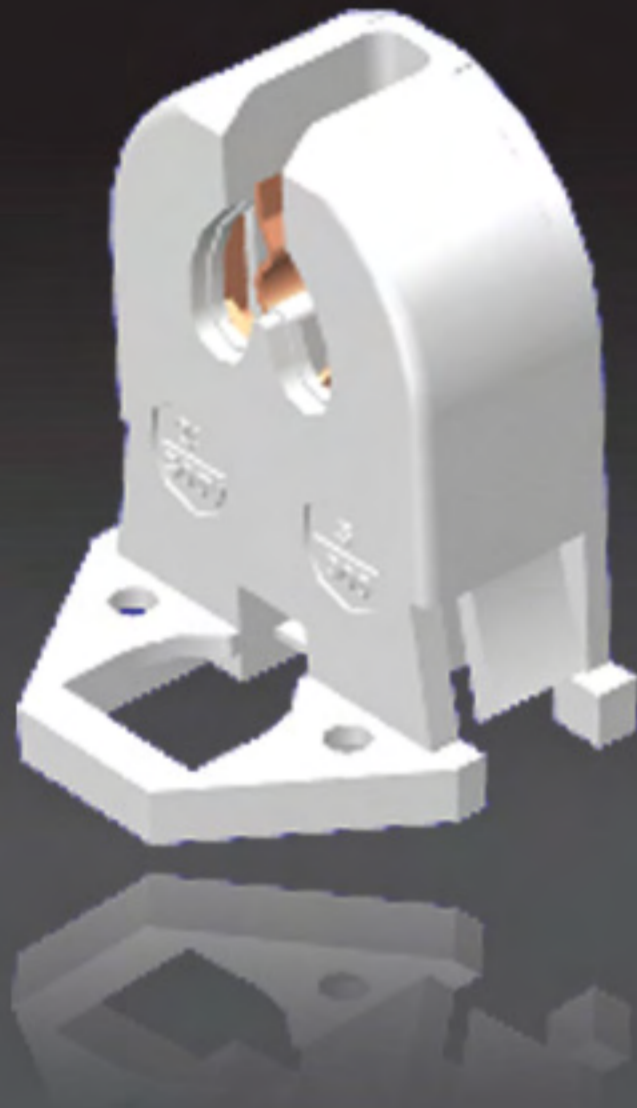


SIRIJAYA
INDUSTRIES SDN. BHD.



T5 FLUORESCENT LAMPHOLDER - 9 Series

S-900



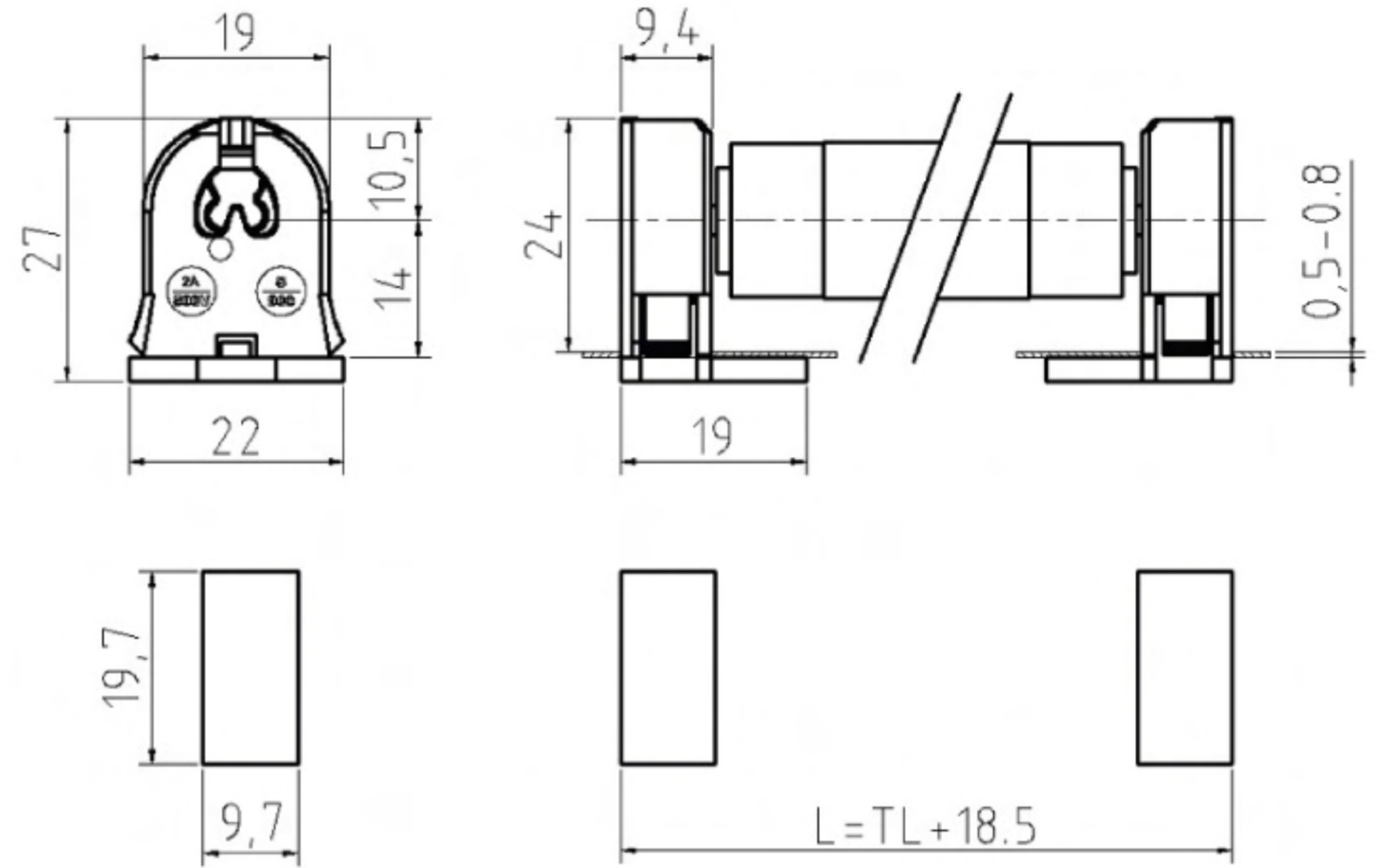
G5

2A/250V

T110

3G

3500PCS



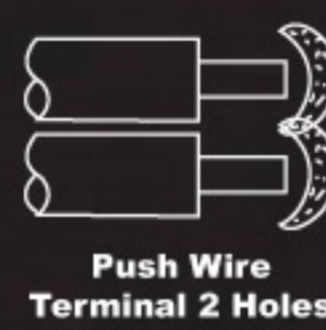
Push-through Fixing



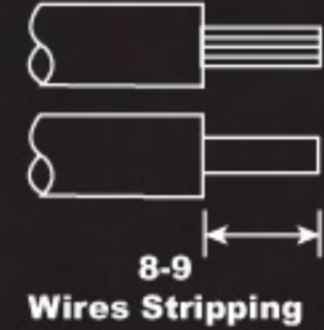
0.5-0.8 Metal Plate Thickness



0.5-1 Rigid Conductor



Push Wire Terminal 2 Holes



8-9 Wires Stripping

IP20 LAMPHOLDER

- Polycarbonate body
- Max. permissible temperature : 110°C

S-910



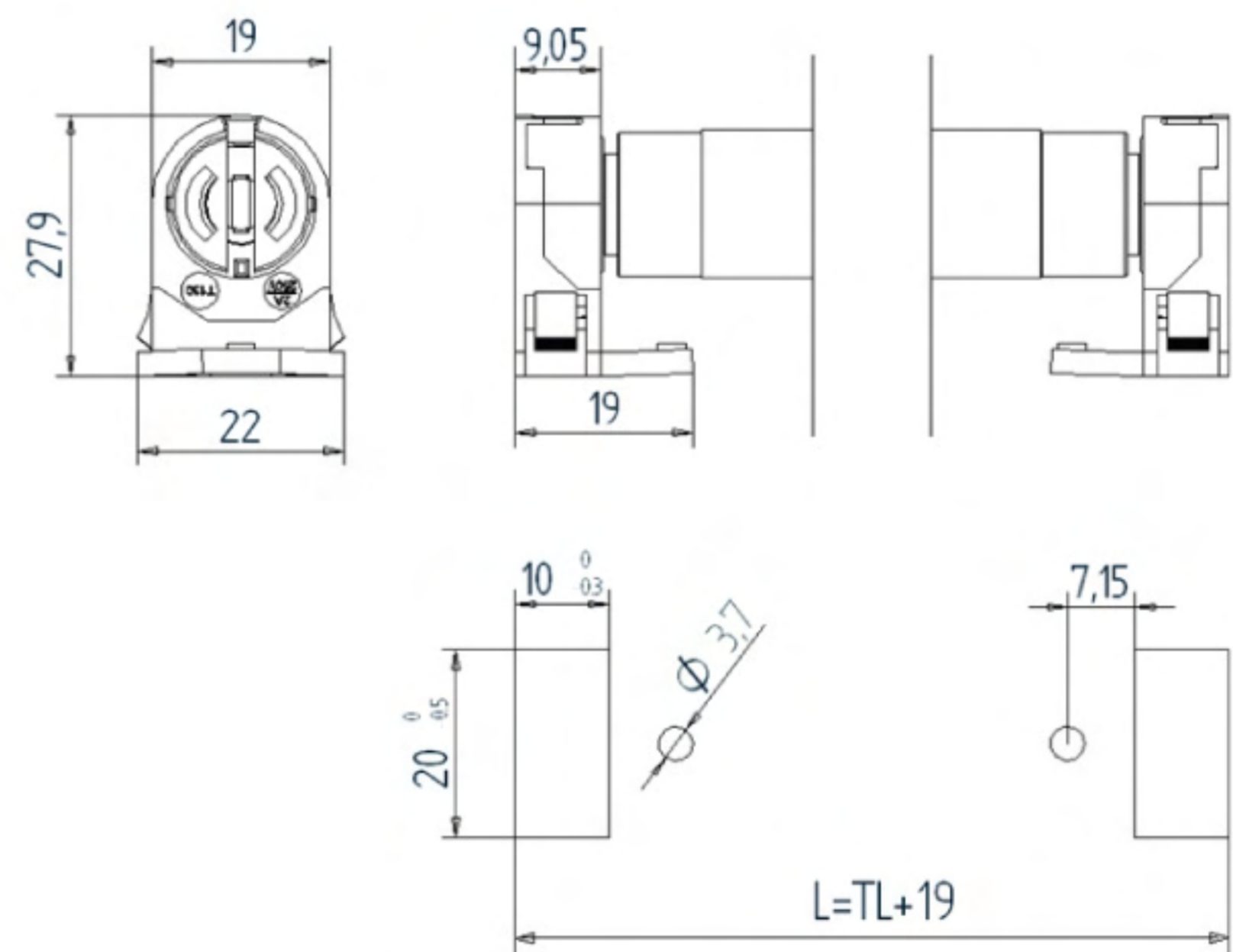
G5

2A/250V

T130/
Tm110

4G

3000PCS



Push-through Fixing



0.5-0.8 Metal Plate Thickness



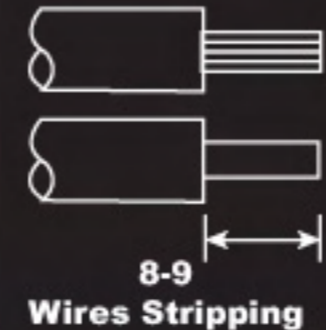
PBT 45°



0.5-1 Rigid Conductor



Push Wire Terminal 2 Holes



8-9 Wires Stripping

IP20 LAMPHOLDER

- Polycarbonate body & PBT Rotor
- Max. permissible temperature Tm at the rear of the lampholder: 110°C
- Max. permissible temperature T measured at the hottest point, where contact with the endcap: 130°C



SIRIJAYA
INDUSTRIES SDN. BHD.

No.9 Lebuhr Perusahaan Klebang 9, IGB International Industrial Park, 31200 Chemor, Perak Darul Ridzuan, Malaysia.
Tel: +605- 292 3888 (Hunting Line) 291 2223 - 291 2228 Fax +605-291 2221, 291 2222 www.sirijaya.com



Suruhanjaya Tenaga