

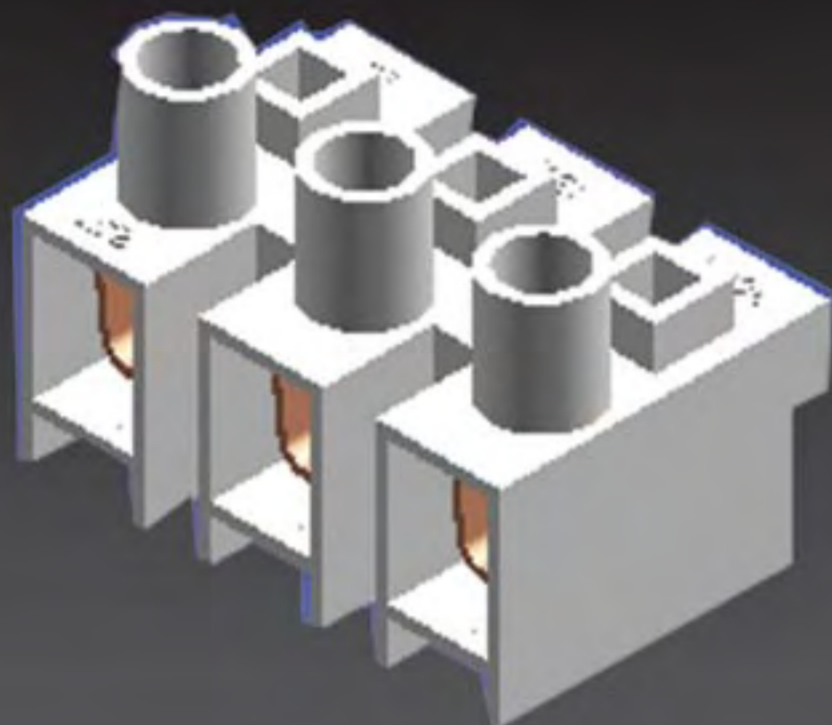


SIRIJAYA
INDUSTRIES SDN. BHD.



WIRE CONNECTOR - 37 Series

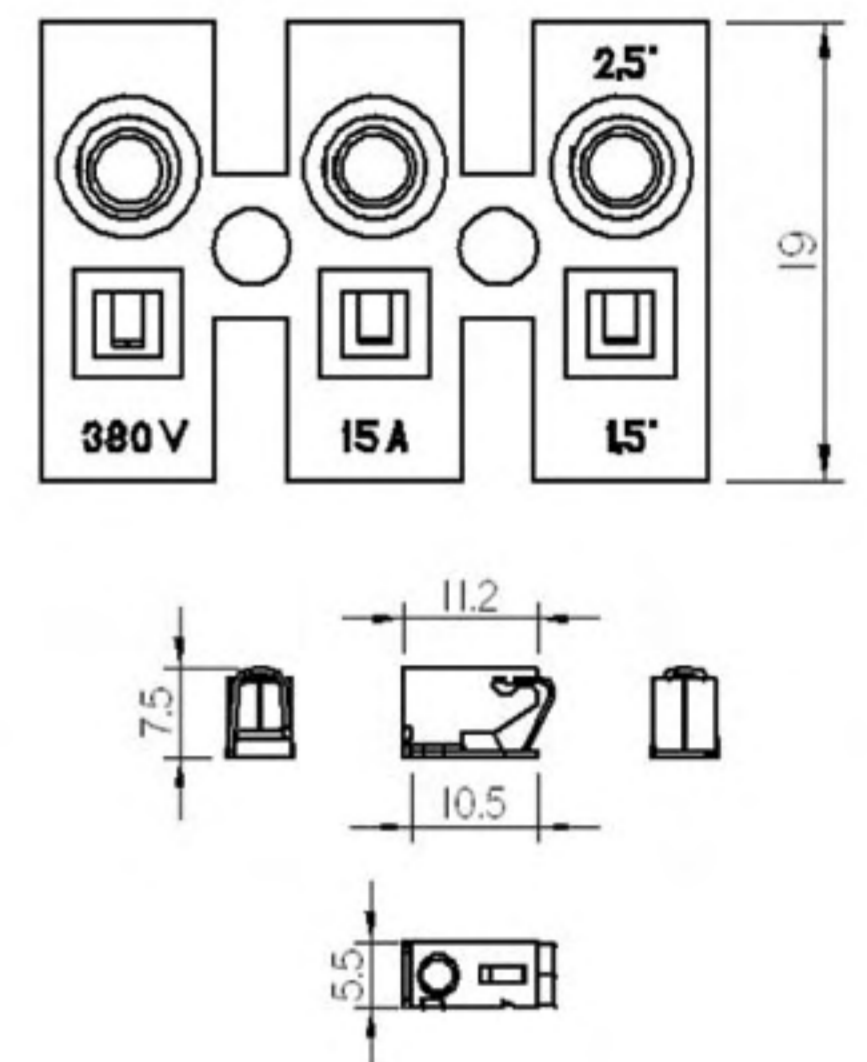
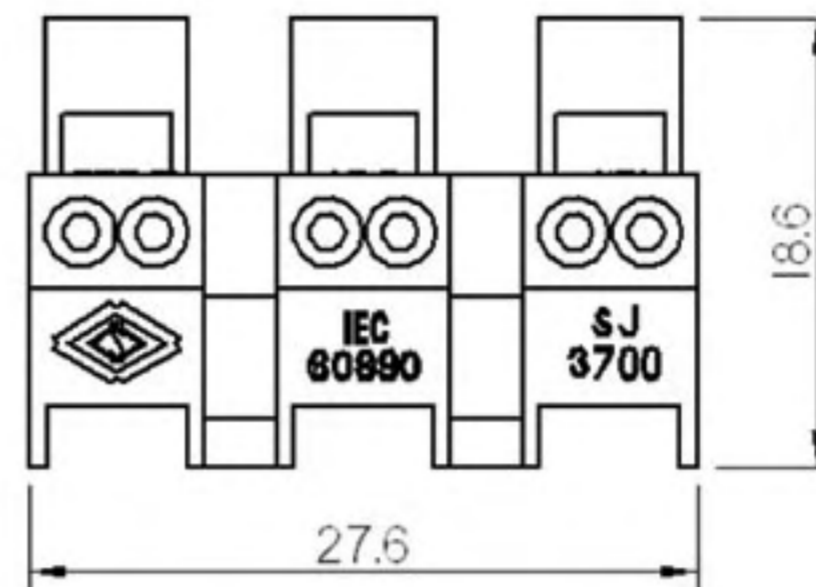
S-3700 3-WAY



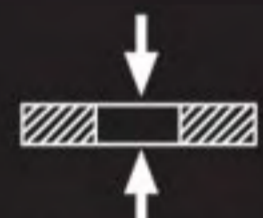
15A/380V

6G

2300PCS



With Screw



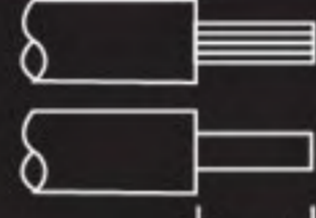
0.5-0.8 Metal Plate Thickness



0,5-1 Rigid Conductor



Push Wire Terminal 2 Holes

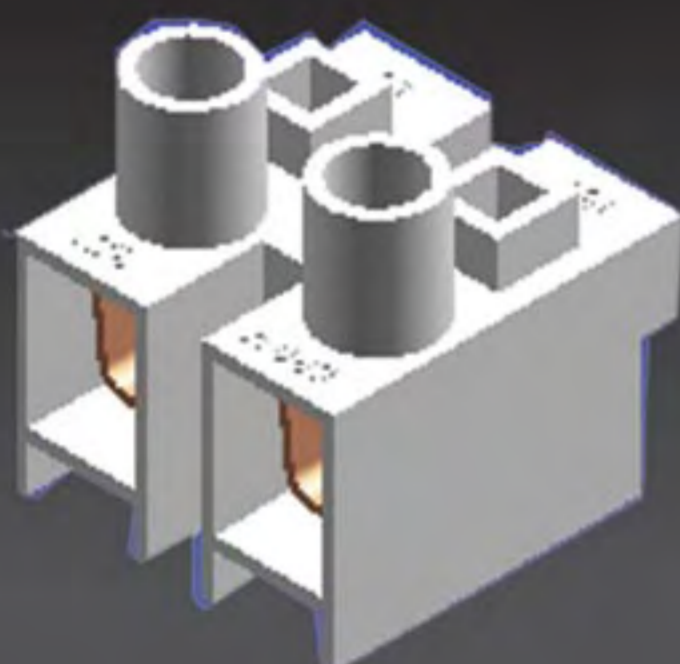


8-9 Wires Stripping

IP20 TERMINAL BLOCK

- Nylon body, GI & EG

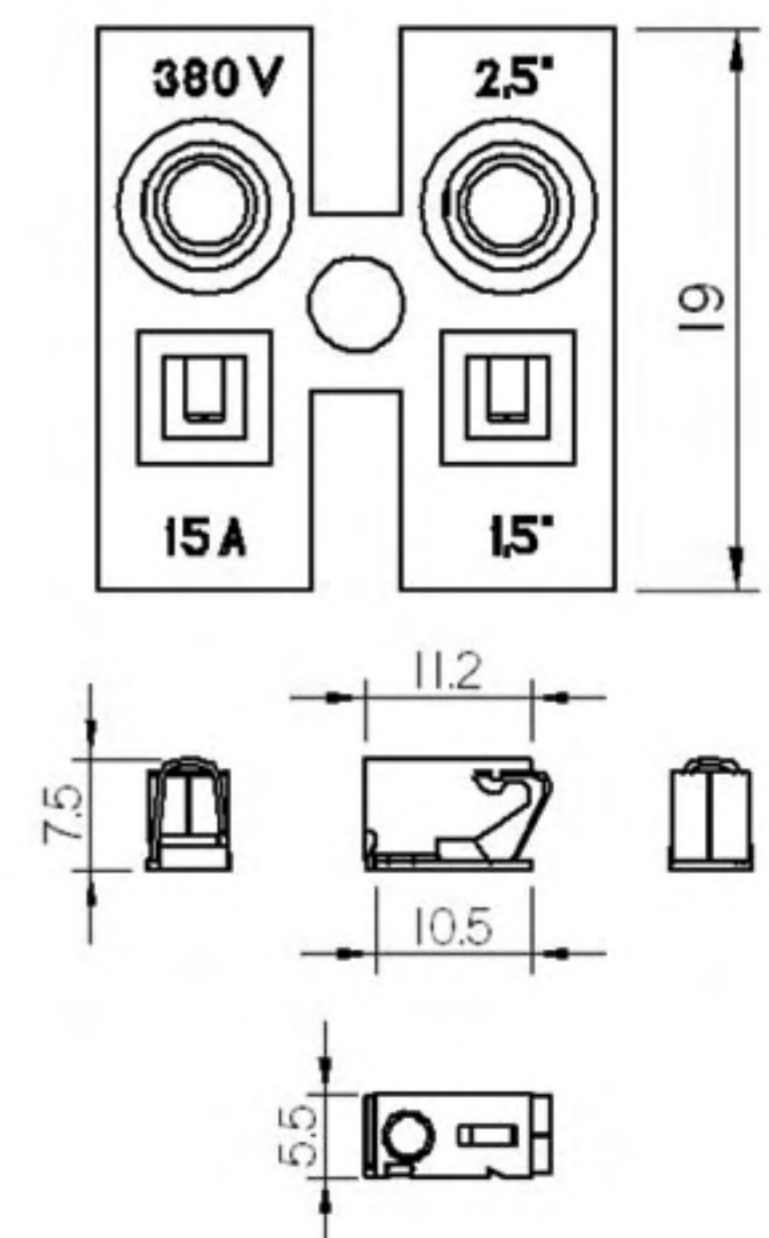
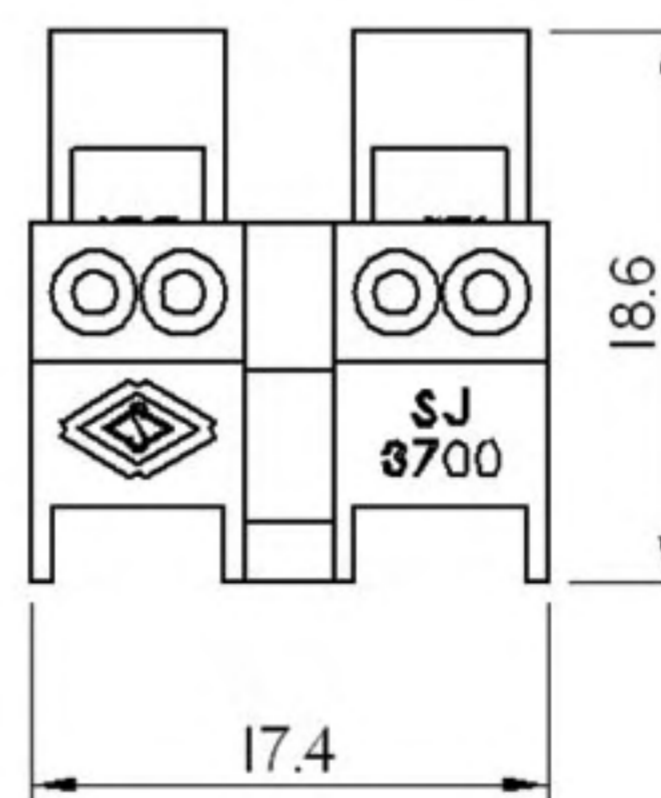
S-3701 2-WAY



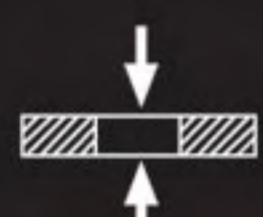
15A/380V

4G

3400PCS



With Screw



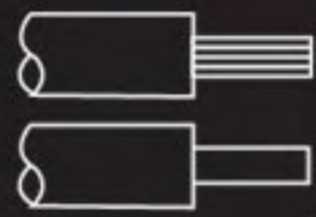
0.5-0.8 Metal Plate Thickness



0,5-1 Rigid Conductor



Push Wire Terminal 2 Holes



8-9 Wires Stripping

IP20 TEMINAL BLOCK

- Nylon body, GI & EG



SIRIJAYA
INDUSTRIES SDN. BHD.



No.9 Lebuhr Perusahaan Klebang 9, IGB International Industrial Park, 31200 Chemor, Perak Darul Ridzuan, Malaysia.
Tel: +605- 292 3888 (Hunting Line) 291 2223 - 291 2228 Fax +605-291 2221, 291 2222 www.sirijaya.com

